



Security Tech Germany

# New for our specialist trade partners: modular MX system options

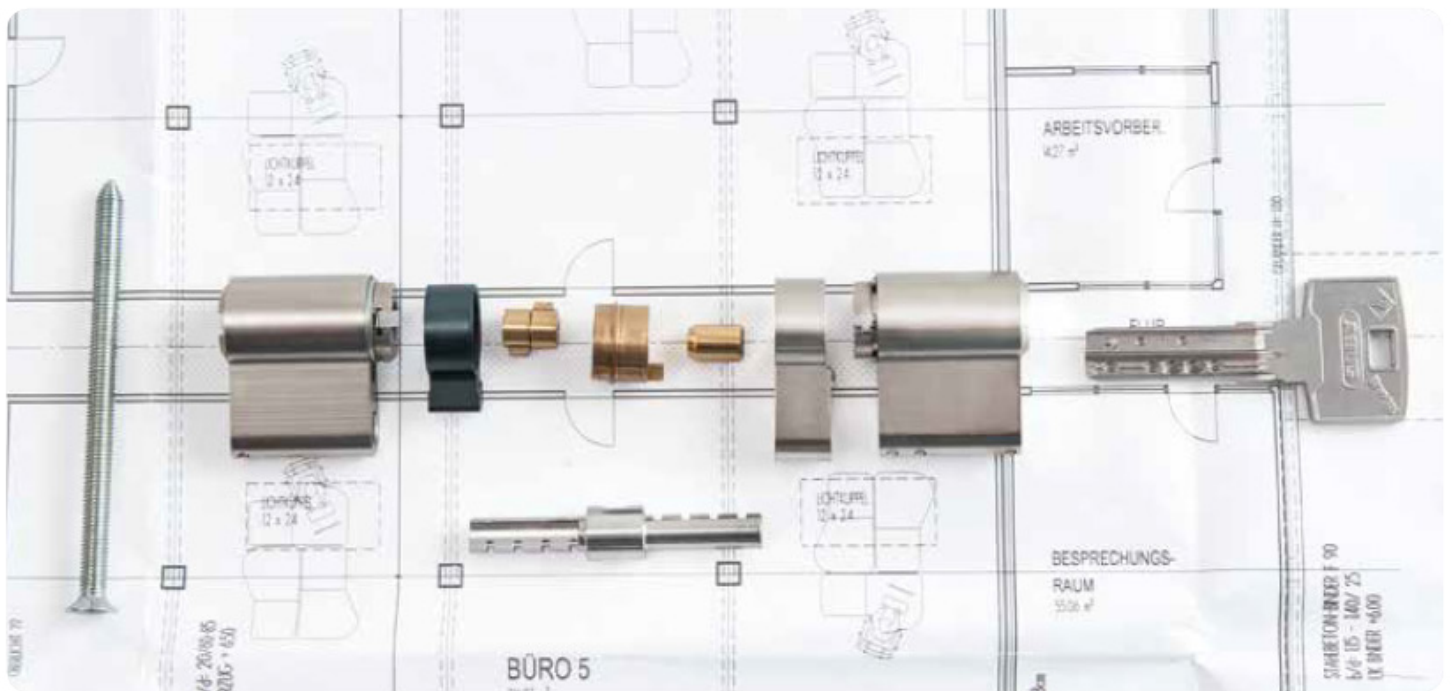
Secure, simple, quick. MX



# MX



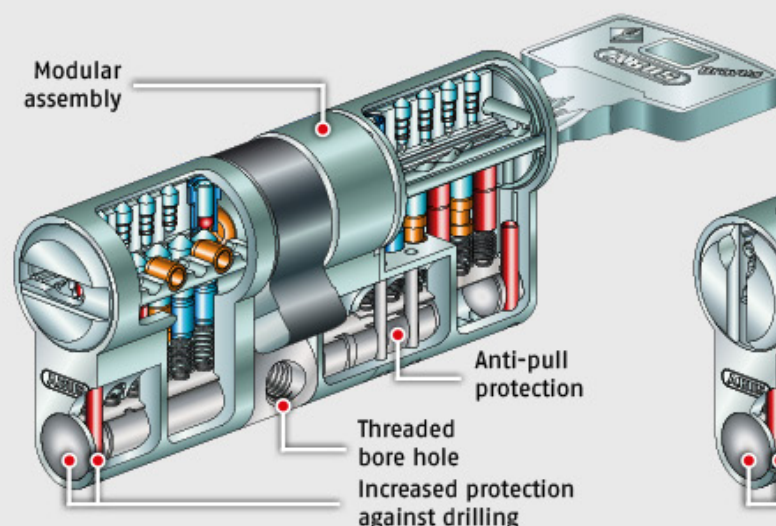
MADE IN  
GERMANY



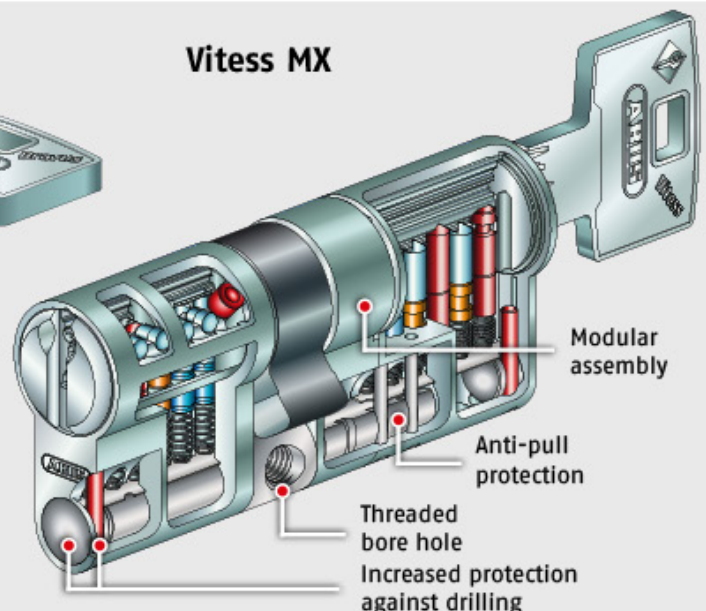
## MX in detail

- Available in the following systems Bravus.1000, Bravus.2000, Bravus.3000, Vitess.1000, Vitess.2000, Zolit.1000 and Zolit.2000
- Also available as keyed alike sets
- Available completely assembled, in parts or as service cylinder
- Available in factory profile or individual profile
- Tool-free modification
- Lengths: double cylinder and knob cylinder 30/30 up to a length of 70/70 mm
- Lengths: half cylinder 30/10 up to a length of 70/10 mm
- Available in cylinder finish: Nickel (optionally brass)
- Increased anti-pull protection as standard thanks to the modular threaded bore hole made of stainless steel
- Increased protection against drilling as standard thanks to hardened steel pins and a stainless steel anti-drill inlay

### Bravus MX



### Vitess MX







Security Tech Germany



- Maximum flexibility thanks to a modular assembly
- Quicker, tool-free modification of the cylinder from 30/30 up to 70/70
- Increased protection against drilling and additional anti-pull protection

**MX** When driving to an on-site service visit or emergency opening or if you wish to order a locking system even though not all of the cylinder lengths are yet known, with the **innovative MX equipment option**, Abus offers the ideal solution.

**MX** The modular cylinder can be modified to any desired length **using just a few simple movements**. The basic length of 30/30 mm can be extended on either side at 5 mm intervals, up to a cylinder length of 70/70 mm, thus allowing maximum flexibility. Only a forend screw is required for convenient modification.

**MX** The modular system variants allow you to react to local conditions in a rapid, flexible and secure manner. This saves time and avoids return trips. MX is available **as an option in the Bravus reversible key system and in the new Vitess conventional system**.

**MX** Keyed alike sets enable the rapid sale or installation of the cylinder without the prior re-pinning of the cylinder. The anti-drill inlay made out of high-strength stainless steel and the hardened steel pins inside the cylinder offer **increased protection against drilling as standard**. The stainless steel modular threaded bore hole ensures **additional anti-pull protection**.



Extensions are available in lengths ranging from 5 mm to 40 mm



Security Tech Germany



**1** Secure.

Using the forend screw, turn the MX cylinder at the threaded bore hole through 90° and set the half of the housing, the cam and coupling to the side.



**2** Simple.

Extend the cylinder to the desired length using the housing, core and key extension.




**3** Fixed.

Re-insert the coupling, cam and housing half and turn cylinder through 90° at the threaded bore hole using the forend screw.

# MX

## Contact

 **ABUS Pfaffenhain GmbH**  
Fabrikstrasse 1  
09387 Jahnsdorf  
Germany

vertrieb@abus-pfaffenhain.de  
Tel: +49 3 72 96 713-0  
Fax: +49 3 72 96 713-750

www.abus.com



08/2016  
WRB/FLZ