



Mechanical
locking systems



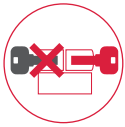
Contents

The symbols	3
<hr/>	
Access control concepts	4
<hr/>	
PLANT SYSTEMS	6
DOM ix TwinStar®	6
DOM ix Twido®	8
DOM ix Teco®	10
DOM ix 6HT	12
DOM RS 8	14
DOM RS Sigma	16
<hr/>	
SERVICE PARTNER PROFILES	18
DOM ix Twido®	20
DOM ix Teco®	22
DOM Sigma Plus	24
<hr/>	
Types of locking system	26
Overview: Technical data	27
Finishes	27



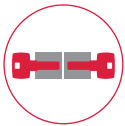
All conventional systems in the RS series and all reversible key systems in the ix series can be integrated or retrofitted to the new DOM Clip Tag.

Symbols



Normal coupling

A double cylinder cannot be locked if there is a key inserted in the keyway from the other side.



Locking on both sides

A double cylinder can be locked even if there is a key inserted in the keyway from the other side.



Locking system-capable

Z/HS/GHS systems can be set up with this system.



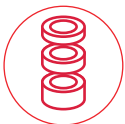
Finishes

The cylinder can be finished in different metal looks (galvanised).



Designs

DOM supplies different designs depending on the door and lockcase requirements. (e.g. half, double, knob cylinders, cam lock etc.)



Modularity

Optional, flexible adaptation of length (e.g. caused by moving) and protection against forcible "snapping off" and "pulling" at the cylinder.



ID card (Service Partner profile)

Specialist retailers accept orders for cylinders and/or keys following presentation of the ID card.



Service card (Service Partner profile)

Specialist retailers accept orders for cylinders and/or keys following presentation of the service card.



Registration card

Specialist retailers accept orders for cylinders and/or keys following presentation of the registration card. Only orders legitimised in this way will be manufactured by DOM.



Electronically compatible

This mechanical system can be combined in one system with digital DOM systems (e.g. ENiQ® Pro).



2 in 1

2in1

2 sets of keys for 1 cylinder.



Drill-open protection

Built-in elements which make it more difficult to drill the cylinder open.



Moving element in the key

The lock is only released with the suitable matching counterpart in the cylinder.



Copy protection

The key has which make it almost impossible to copy the key using conventional machines.



DIN
EN 1303

Standard

The locking system complies with the DIN EN 1303 standard.



Patent bis
XXXX
Patent until

Patent protection

The locking system and locking cylinder or key is protected by patent law against copying until the year xxxx.



®
unlimited

Brand protection

The locking system has a registered trademark.



reg. **ES**

Registered individual lock in compliance with VdS

All locking cylinders can be locked using the same key, additional registration card as proof of authorisation.



ES

Individual lock

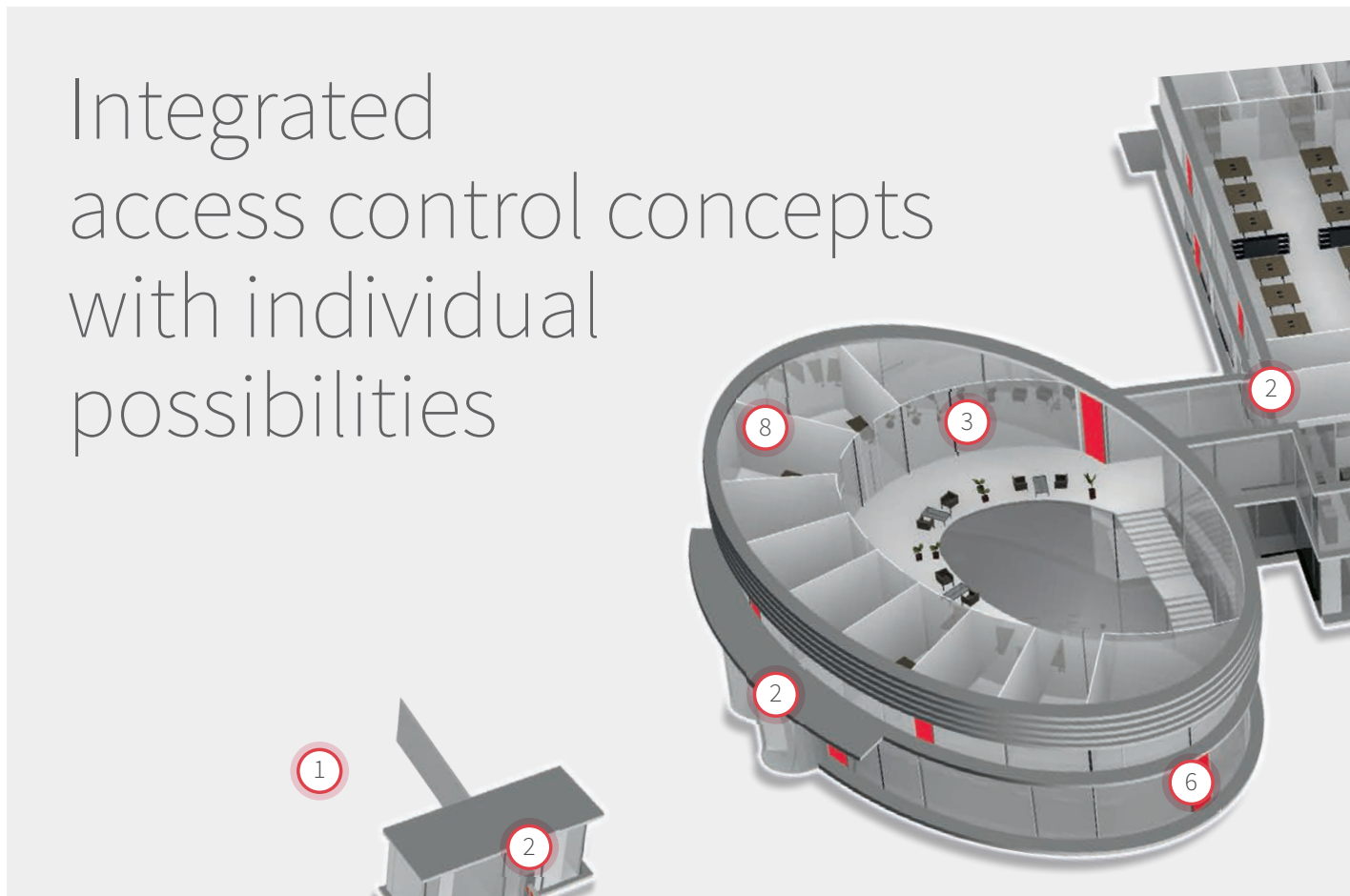
All locking cylinders can be locked using the same key.



Approval by VdS Schadenverhütung GmbH

Locking system is approved by the VdS. The VdS checks locking systems and assigns approval classes from A to BZ+.

Integrated access control concepts with individual possibilities



1
Locking media / transponders
(e.g. access media for employees / visitors)



2
ENiQ® / ELS® AccessManager Digital wall reader
(e.g. for controlling automatic doors, parking barriers, burglar alarm systems)



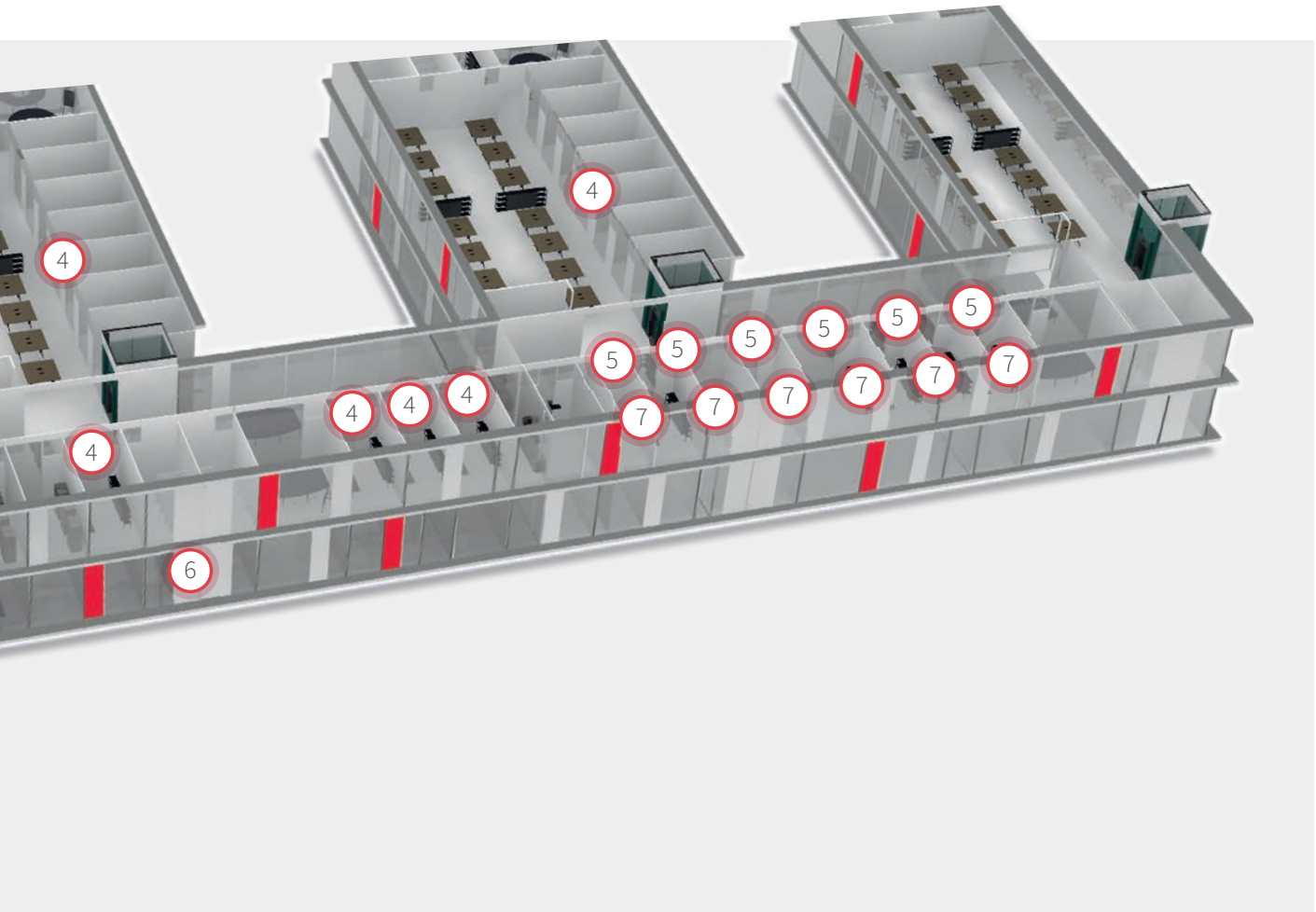
3
ENiQ® / ELS® AccessManager terminal & ITT Digital wall reader terminals
(e.g. for extending validity periods for daily authorisations)



6
ENiQ® / ELS® Guard Digital security fitting reader
(e.g. for exterior doors)



7
Mechanical locking systems
(e.g. mechanical locking cylinders)



4



ENiQ® / ELS® Pro Digital knob cylinder

(e.g. access to security-related areas)

5



ENiQ® / ELS® Guard digital fitting reader

(e.g. organisation office access)

8



ENiQ® / ELS® software

(management software for digital locking systems)



Tip:

The DOM padlock can also be integrated in the locking system.



DOM ix TwinStar®



Two rollers – double security

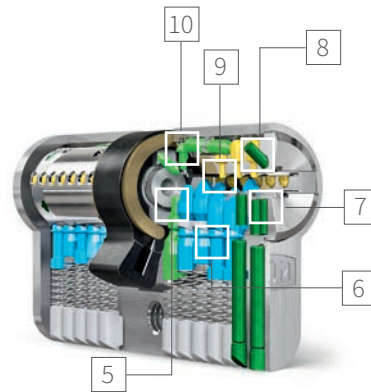
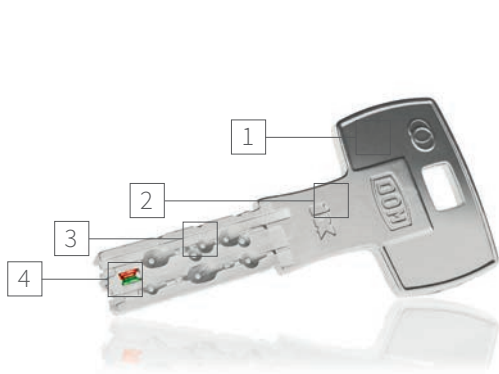
With the ix TwinStar® DOM is once again underlining its comprehensive expertise in the field of mechanical locking technology. The new reversible key system is particularly well protected against unauthorised copying thanks

to the float-mounted double roller in the key. Thanks to a complex system – 11 sprung tumblers, of which 10 are pin tumblers and 1 is a locking shaft tumbler – it is suitable for all buildings, from private homes to large buildings

with high security standards. In addition, the convenient "2-in-1" version for registered individual locks and locking systems makes it possible to deactivate the first set of keys by recoding the cylinder following the loss of a key.



Front door Cellar door Garage door Garden gate Letter box



- 1 NEW KEY HEAD DESIGN**
- 2 LENGTH OF KEY BLADE MATCHED TO ALL STANDARD SECURITY FITTINGS**
- 3 COMPLEX CODING IN THE KEY**
With familiar high-rib technology, makes copying keys more difficult
- 4 REVERSIBLE KEY WITH TWO INDEPENDENTLY MOVING ROLLERS**
With one sprung active function query each in the locking system, compulsory movement through labyrinth in the keyway
- 6 ANTI-BUMPING & ANTI-PICKING PINS**
High manipulation protection makes mechanical opening almost impossible

- 7 DRILL-OPEN PROTECTION VARIANT**
- 8 10 REVISION PINS**
Make complex locking systems possible
- 5 10 QUERY ELEMENTS FOR THE ROLLERS**
- through a sprung pin tumbler **5**
- through a sprung locking shaft **10**, actuated by a locking shaft function pin
- 5 9 10 11 SPRUNG TUMBLERS MADE OF SPECIAL BRASS OR HARDENED STEEL**
Offer manipulation protection against intelligent opening methods and impact protection

Advantages

- **KEY INCLUDING PATENT-PROTECTED MOVING DOUBLE ROLLER**
- **VERY HIGH TECHNICAL KEY COPY PROTECTION**
– innovative, float-mounted double roller in the key tip
- **KEY MADE OF HIGH-GRADE LOW-WEAR NICKEL SILVER**
- **LENGTH OF KEY BLADE MATCHED TO ALL STANDARD SECURITY FITTINGS**
- **REGISTRATION CARD INCLUDED IN THE SCOPE OF DELIVERY**
- **HIGH MANIPULATION PROTECTION**
– up to 24 locking authorisation requests per key
- **HIGH DRILL-OPEN PROTECTION**
The standard version of the system is already equipped with various drill-open protection pins. The cylinder can be optionally equipped with enhanced drill-open protection and thus meets maximum requirements in accordance with EN1303, VdS and SKG.
- **VDS BZ+ APPROVAL (OPTIONAL)**
- **ACCORDING TO DIN EN 1303:2015-08**
- **LOCKING SYSTEMS GHS "2-IN-1" optional version (Q1/2018)**
If a key should get lost, the security of the locking system can be restored once by replacing all the keys for the locking system that are in circulation. Also available for registered individual locks.
- **CONSTRUCTION TIME LOCKING SYSTEM GHS optional version (Q 1/ 2018)**
The construction time key permits actuation of cylinders already fitted during the construction period.

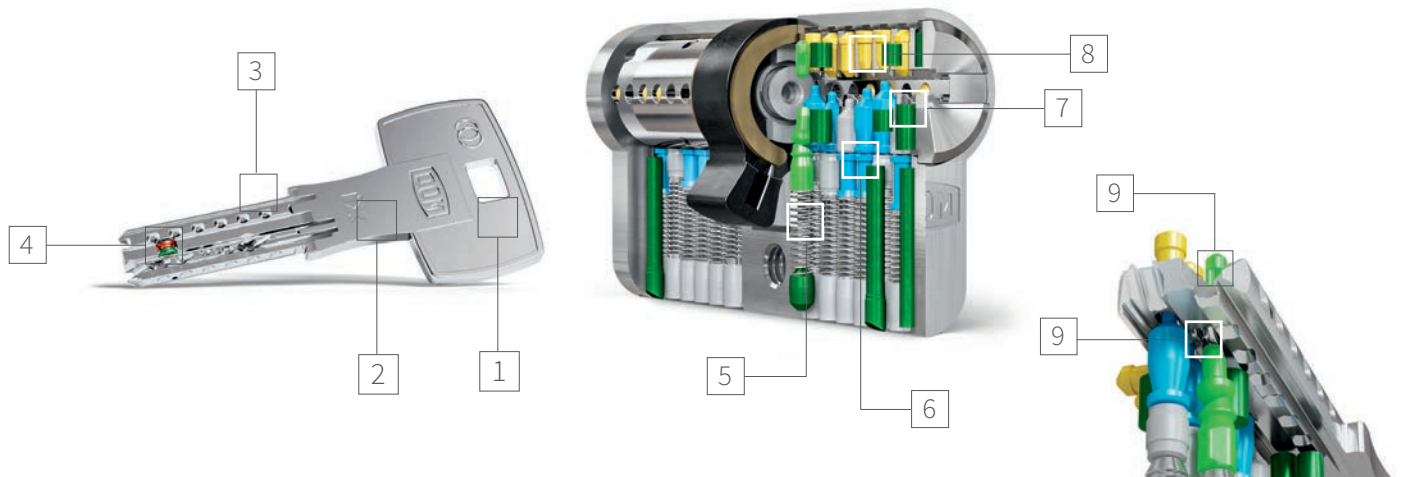
DOM ix Twido®



Benchmark for success
in security technology

The new reversible key system ix Twido® is particularly well protected against unauthorised copying thanks to the float-mounted double roller in the key. A special high-deep milling (HT) technique used in the horizontal basic profile enhances

security during profile checks and is difficult to copy. The new ix Twido® meets almost every security requirement. With its new roller technology and sophisticated design, this locking system literally has more to it than meets the eye.



- 1 NEW KEY HEAD DESIGN
- 2 LENGTH OF KEY BLADE MATCHED TO ALL STANDARD SECURITY FITTINGS
- 3 COMPLEX CODING IN THE KEY
- 4 REVERSIBLE KEY WITH TWO INDEPENDENTLY MOVING ROLLERS
- 5.9 7 SPRUNG TUMBLERS MADE OF SPECIAL BRASS OR HARDENED STEEL INCLUDING ROLLER FUNCTION PINS
- 6 ANTI-BUMPING & ANTI-PICKING PINS
- 7 DRILL-OPEN PROTECTION VARIANT
- 8 UP TO 12 REVISION PINS
- 9 ROLLER FUNCTION PINS

Advantages

- KEY INCLUDING PATENT-PROTECTED MOVING DOUBLE ROLLER
- VERY HIGH TECHNICAL KEY COPY PROTECTION
 - innovative, float-mounted double roller in the key tip
 - the special high-deep milling in the key makes it more difficult for copies of the key to be made
- HIGH MANIPULATION PROTECTION
 - up to 21 locking authorisation requests per key
- HIGH OPERATING CONVENIENCE THROUGH REVERSIBLE KEY
- KEY MADE OF HIGH-GRADE LOW-WEAR NICKEL SILVER
- LENGTH OF KEY BLADE MATCHED TO ALL STANDARD SECURITY FITTINGS
- ACCORDING TO DIN EN 1303:2015-08
- VARIOUS OPTIONAL DRILL-OPEN PROTECTION VARIANTS AVAILABLE
- VDS BZ+ APPROVAL (UNDER PREPARATION)
- REGISTRATION CARD INCLUDED IN THE SCOPE OF DELIVERY
- CAN BE USED IN LOCKING SYSTEMS AND AS AN INDIVIDUAL LOCK
- OPTIONAL MODULAR TECHNOLOGY WITH ENHANCED SNAPPING PROTECTION

DOM ix Teco®

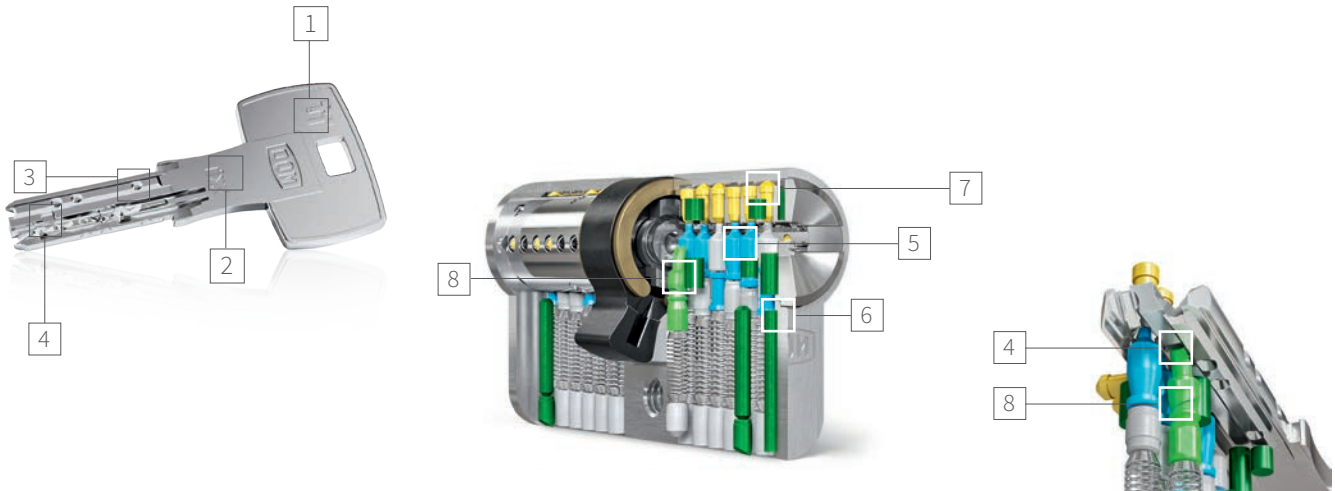


Stamped for security

The new reversible key ix Teco® is especially well protected against unauthorized copying by an innovative stamped recess in the key, a technique for which a patent is pending. A special high-deep

milling (HT) technique used in the horizontal basic profile enhances security during profile checks and is difficult to copy. With the innovative and sophisticated design you are purchasing a loc-

king system with an efficient key copy protection which is predestined for use in locking system but also for single locks.



- | | |
|---|--|
| <ul style="list-style-type: none"> 1 NEW KEY HEAD DESIGN 2 LENGTH OF KEY BLADE MATCHED TO ALL STANDARD SECURITY FITTINGS 3 COMPLEX CODING IN THE KEY 4 REVERSIBLE KEY WITH ADDITIONAL STAMPED RECESS 5 ANTI BUMPING & ANTI PICKING PINS 6 DRILL-OPEN PROTECTION VARIANT | <ul style="list-style-type: none"> 7 UP TO 12 REVISION PINS 8 SPRUNG PIN QUERY FOR THE ADDITIONAL STAMPED RECESS 5,8 7 SPRUNG TUMBLERS MADE OF SPECIAL BRASS OR HARDENED STEEL, INCLUDING FUNCTION PIN FOR THE RECESS 4,8 QUERY SITUATION OF PIN TUMBLER AND THE STAMPED RECESS IN THE KEY |
|---|--|

Advantages

- | | | |
|--|--|---|
| <ul style="list-style-type: none"> ■ HIGH TECHNICAL KEY COPY PROTECTION THANKS TO AN INNOVATIVE STAMPED RECESS IN THE KEY - PATENT PENDING ■ HIGH MANIPULATION PROTECTION
- up to 20 locking authorisation requests per key ■ HIGH OPERATING CONVENIENCE THROUGH REVERSIBLE KEY | <ul style="list-style-type: none"> ■ KEY MADE OF HIGH-GRADE LOW-WEAR NICKEL SILVER ■ LENGTH OF KEY BLADE MATCHED TO ALL STANDARD SECURITY FITTINGS ■ TESTED TO DIN EN 1303:2015-08 (UNDER PREPARATION) ■ VARIOUS OPTIONAL DRILL-OPEN PROTECTION VARIANTS AVAILABLE | <ul style="list-style-type: none"> ■ VDS A APPROVAL (IN PREPARATION) ■ REGISTRATION CARD INCLUDED IN THE SCOPE OF DELIVERY ■ CAN BE USED IN LOCKING SYSTEMS AND AS AN INDIVIDUAL LOCK ■ OPTIONAL MODULAR TECHNOLOGY WITH ENHANCED SNAPPING PROTECTION |
|--|--|---|

DOM ix 6HT

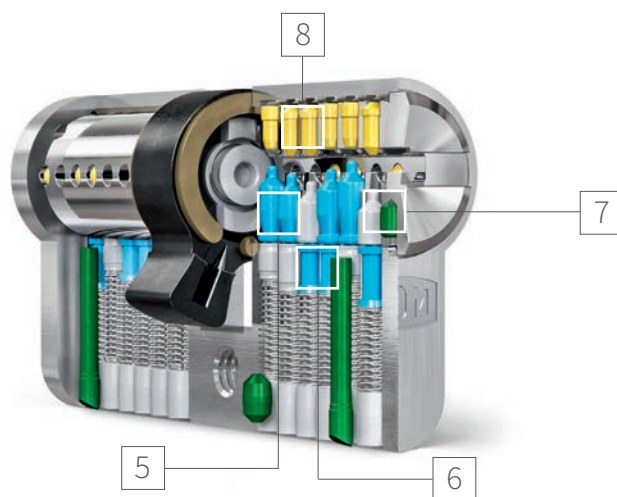
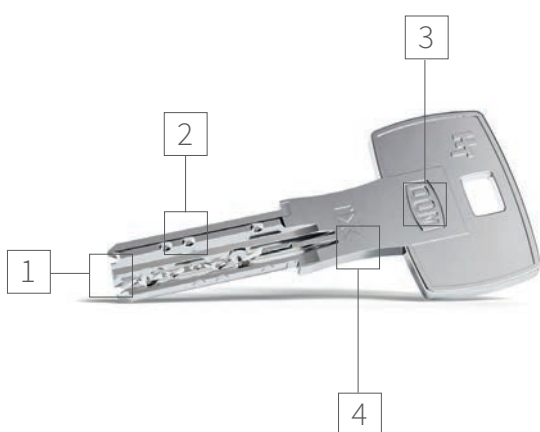


Simple to use –
difficult to outsmart

The new DOM ix 6HT system is your entry to the world of reversible keys. It is a system with a multi-level security concept; offering high protection thanks to the interaction of many technical details. A special high-deep milling (HT) technique used in the

horizontal basic profile enhances security during profile checks and is difficult to copy. This quality product from DOM achieves protection from mechanical manipulation by using high-strength materials. That's why the DOM ix 6HT system with its sophisticated design

provides the required burglary protection level. To protect your valuables at home or at work.



- | | |
|--|--|
| <p>1 LIFT-OUT AND SLOPED AREAS
Optimum key insertion</p> <p>2 COMPLEX CODING IN THE KEY
Makes it more difficult to copy</p> <p>3 NEW KEY HEAD DESIGN</p> <p>4 LENGTH OF KEY BLADE MATCHED TO ALL
STANDARD SECURITY FITTINGS</p> <p>5 6 SPRUNG PIN TUMBLERS MADE OF
SPECIAL BRASS/HARDENED STEEL</p> | <p>6 ANTI-BUMPING & ANTI-PICKING PINS</p> <p>7 DRILL-OPEN PROTECTION VARIANTS
Carbide or hardened steel elements</p> <p>8 UP TO 12 HORIZONTAL AND VERTICAL
REVISION PINS
Checkpoints during the key authorisation query</p> |
|--|--|

Advantages

- | | | |
|--|---|---|
| <ul style="list-style-type: none"> ■ HIGH MANIPULATION PROTECTION
Up to 19 locking authorisation queries per key make it almost impossible to overcome the cylinder of the locking system. ■ HIGH KEY COPY PROTECTION
The special high-deep milling in the key makes it more difficult for copies of the key to be made. ■ PATENT PROTECTION | <ul style="list-style-type: none"> ■ HIGH OPERATING CONVENIENCE THROUGH REVERSIBLE KEY ■ KEY MADE OF HIGH-GRADE LOW-WEAR NICKEL SILVER ■ LENGTH OF KEY BLADE MATCHED TO ALL STANDARD SECURITY FITTINGS ■ ACCORDING TO DIN EN 1303:2015-08 ■ VARIOUS OPTIONAL DRILL-OPEN PROTECTION VARIANTS AVAILABLE | <ul style="list-style-type: none"> ■ REGISTRATION CARD INCLUDED IN THE SCOPE OF DELIVERY ■ CAN BE USED IN LOCKING SYSTEMS AND AS AN INDIVIDUAL LOCK ■ OPTIONAL MODULAR TECHNOLOGY WITH ENHANCED SNAPPING PROTECTION |
|--|---|---|

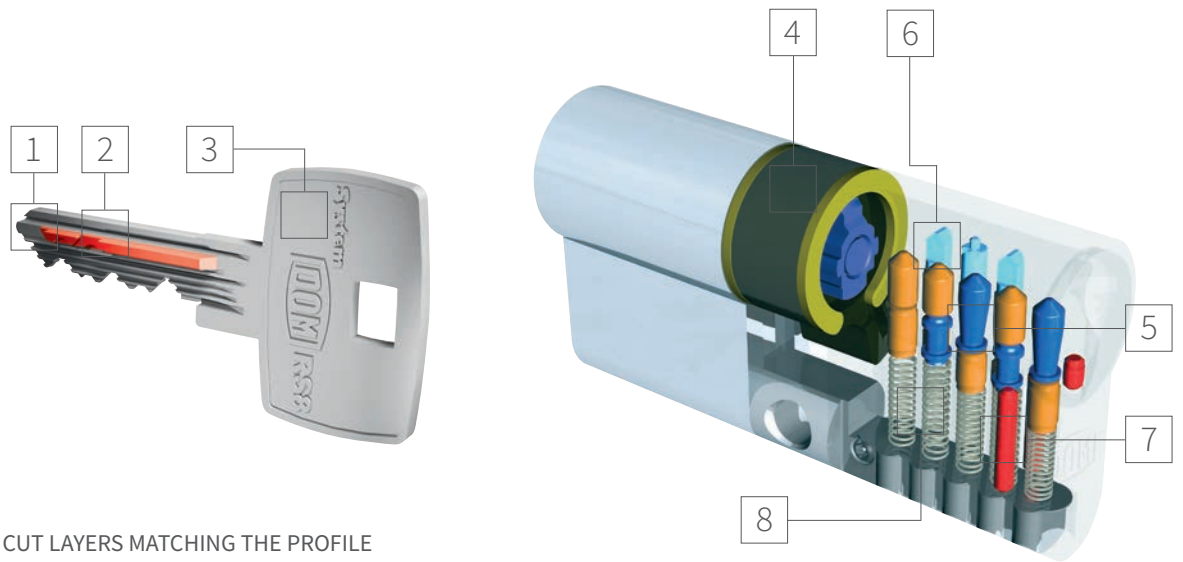
DOM RS 8



Complete protection with
only one key.

Our challenge is to improve tried-and-trusted locking technology even further. The result is the DOM RS 8 system. Maximum possible resistance values give you the reassuring feeling of outstandingly secured doors and entrances. In a literal sense, because our new technology with

lateral control and stabilisation ribs gives the key a very high level of copy protection.



1 CUT LAYERS MATCHING THE PROFILE

Protection against key copies

**2 COMPLEX CODING IN THE KEY AND
ADDITIONAL RIB ON THE SIDE**

Make it more difficult to copy

3 NICKEL SILVER KEY

Corrosion-free and low-wear

4 LOCKING CATCH

**5 8 PIN TUMBLERS MADE OF SPECIAL BRASS/
HARDENED STEEL**

Offer manipulation protection against intelligent opening methods and impact protection

**6 3 OF THESE ARE INNOVATIVE ADDITIONAL PAIRS OF PIN
TUMBLERS, ARRANGED AXIALLY IN THE SECOND ROW**

7 DRILL-OPEN PROTECTION VARIANT

Carbide or hardened steel elements

8 SPRINGS

Part of the pin tumblers, they move the pins to the correct locking position

Advantages

■ **HIGH MANIPULATION PROTECTION**

Up to 13 locking authorisation queries per key make it almost impossible to overcome the cylinder of the locking system.

■ **HIGH KEY COPY PROTECTION**

The additional rib on the side of the key makes it almost impossible for copies of the key to be made.

■ **VDS B+ APPROVAL**

Maximum possible protection against burglary and unlocking attempts (optional) recognised by an independent testing institute. Conditions according to the VdS standard.

■ **ALSO AVAILABLE AS A REGISTERED INDIVIDUAL LOCK (BZ+, MODULAR)**

Special variant for one or two-family houses with optimum security features

DOM RS Sigma

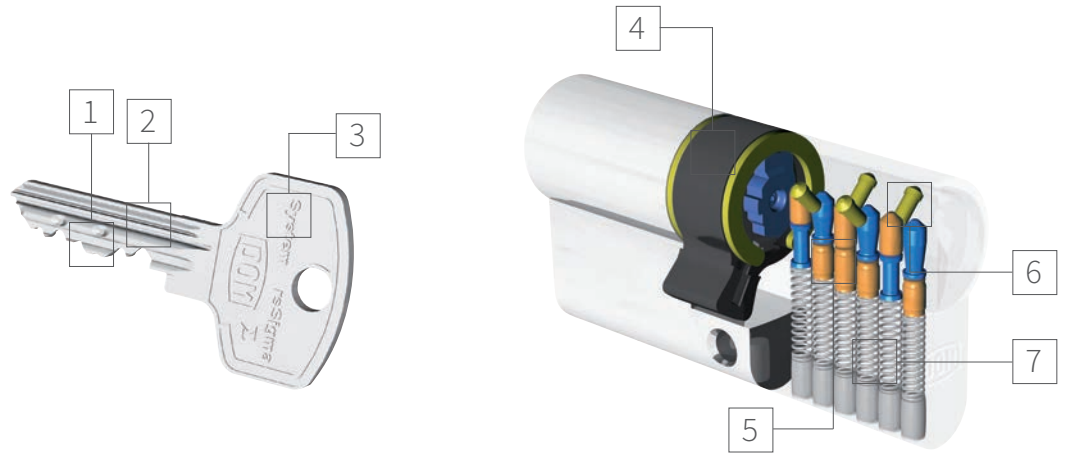


A good investment has to pay off

The DOM RS Sigma system is the brand locking system for customers who value a high level of security at an affordable price. Whether in new or refurbished buildings – property or company secrets all need protection. And there can be quite a lot of doors involved in apartment

blocks, condominiums and other building complexes. Designed as a master-keyed system, DOM RS Sigma offers you the convenience you can expect from a modern master-keyed system. You need security, and we offer the matching solution. Secure, fast and reliable. Simple to extend and compatible

with the digital locking systems from DOM, DOM RS Sigma is future-proof and protects your investment in the long term!



1 CUT LAYERS MATCHING THE PROFILE

Protection against key copies

2 COMPLEX CODING IN THE KEY

Makes it more difficult to copy

3 NICKEL SILVER KEY

Corrosion-free and low-wear

4 LOCKING CATCH

5 6 TUMBLERS MADE OF SPECIAL BRASS/HARDENED STEEL

Offer manipulation protection against intelligent opening methods and impact protection

6 REVISION PINS

Checkpoints during the key authorisation query

7 SPRINGS

Part of the pin tumblers, they move the pins to the correct locking position



Fig.: DOM RS Sigma;
the locking system is protected by a trademark.

Advantages

■ **HIGH MANIPULATION PROTECTION**

Up to 19 locking authorisation queries per key make it almost impossible to overcome the cylinder. 6 solid pin tumblers and revision pins at the side make unauthorised opening with copied keys more difficult.

■ **THE LOCKING SYSTEM IS PROTECTED BY A TRADEMARK**

■ **HIGH CONVENIENCE**

The ergonomic shape of the key head makes it easy to handle.

■ **VARIOUS OPTIONAL DRILL-OPEN PROTECTION VARIANTS AVAILABLE**

■ **CAN BE USED AS LOCKING SYSTEM AND AS AN INDIVIDUAL LOCK**

■ **OPTIONAL MODULAR TECHNOLOGY WITH ENHANCED SNAPPING PROTECTION**

Service Partner profiles



Service Partner profiles

Do you want a locking system that offers optimum protection with guaranteed fast service? Then contact your nearest DOM Service Partner. A DOM Service Partner profile offers you top

quality, optimum protection and quick delivery times. DOM Service Partner profiles can be fitted personally by our specially trained partners, guaranteeing individual on-site service. It goes

without saying that our Service Partner profiles comply with the high DOM quality and security requirements.

SERVICE PARTNER PROFILES OFFER:

- High-grade quality products
- Made in Germany
- A comprehensive range of products
- Factory-side documentation of your locking system
- Qualified specialist advice through your dealer
- Quick delivery times
- Fast and optimum on-site service
- Systems for every security level
- Keys can be made by DOM specialist retailers
- The locking systems are protected either by a trademark or a patent

	DOM ix Twido®	DOM ix Tecco®	DOM Sigma Plus
Number of tumblers (rotating tumblers)	7	7	6
Moving locking element in the body	•		
Moving element in the key	•		
Locking authorisation requests	21	20	19
Reversible key	•	•	
Conventional key			•
Compatible with DOM electronics	•	•	•
Modular technology (optional)	•	•	•
Patent term	2036	2038*	
The locking system is protected by a trademark.	•	•	•
Highest VdS class possible			
Locking system capability	•	•	•
Registered individual lock in compliance with VdS			
Individual lock	•	•	•
2-in-1 for individual locks			
2-in-1 for locking systems			

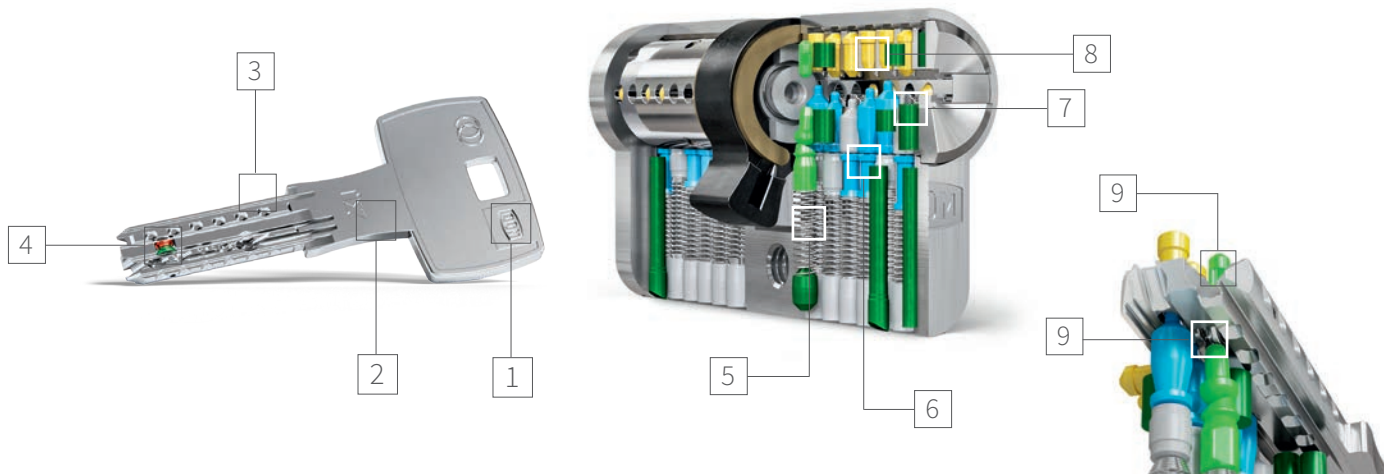
* patent pending



Benchmark for success in security technology

The new reversible key system DOM ix Twido® is particularly well protected against unauthorised copying thanks to the float-mounted double roller in the key. A special high-deep milling (HT) technique used in the horizontal basic profile enhances security during

profile checks and is difficult to copy. The new DOM ix Twido® meets almost every security requirement. With its new roller technology and sophisticated design, this locking system literally has more to it than meets the eye.



- | | |
|---|--|
| <p>1 NEW KEY HEAD DESIGN</p> <p>2 LENGTH OF KEY BLADE MATCHED TO ALL STANDARD SECURITY FITTINGS</p> <p>3 COMPLEX CODING IN THE KEY</p> <p>4 REVERSIBLE KEY WITH TWO INDEPENDENTLY MOVING ROLLERS</p> <p>5.9 7 SPRUNG TUMBLERS MADE OF SPECIAL BRASS OR HARDENED STEEL INCLUDING ROLLER FUNCTION PINS</p> | <p>6 ANTI-BUMPING & ANTI-PICKING PINS</p> <p>7 DRILL-OPEN PROTECTION VARIANT</p> <p>8 UP TO 12 REVISION PINS</p> <p>9 ROLLER FUNCTION PINS</p> |
|---|--|

Advantages

- | | | |
|--|--|--|
| <ul style="list-style-type: none"> ■ KEY INCLUDING PATENT-PROTECTED MOVING DOUBLE ROLLER ■ VERY HIGH TECHNICAL KEY COPY PROTECTION <ul style="list-style-type: none"> – innovative, float-mounted double roller in the key tip – the special high-deep milling in the key makes it more difficult for copies of the key to be made ■ HIGH MANIPULATION PROTECTION <ul style="list-style-type: none"> – up to 21 locking authorisation requests per key | <ul style="list-style-type: none"> ■ HIGH OPERATING CONVENIENCE THROUGH REVERSIBLE KEY ■ KEY MADE OF HIGH-GRADE LOW-WEAR NICKEL SILVER ■ LENGTH OF KEY BLADE MATCHED TO ALL STANDARD SECURITY FITTINGS ■ ACCORDING TO DIN EN 1303:2015-08 ■ VARIOUS OPTIONAL DRILL-OPEN PROTECTION VARIANTS AVAILABLE | <ul style="list-style-type: none"> ■ SERVICE CARD INCLUDED IN THE SCOPE OF DELIVERY ■ CAN BE USED IN LOCKING SYSTEMS AND AS AN INDIVIDUAL LOCK ■ OPTIONAL MODULAR TECHNOLOGY WITH ENHANCED SNAPPING PROTECTION OPTIONAL |
|--|--|--|



Stamped for security

The new reversible key DOM ix Teco® is especially well protected against unauthorised copying by an innovative stamped recess in the key, a technique for which a patent is pending. A special

high-deep milling (HT) technique used in the horizontal basic profile enhances security during profile checks and is difficult to copy. With the innovative and sophisticated design you are purcha-

sing a locking system with an efficient key copy protection which is predestined for use in locking system but also for single locks.

DOM Sigma Plus

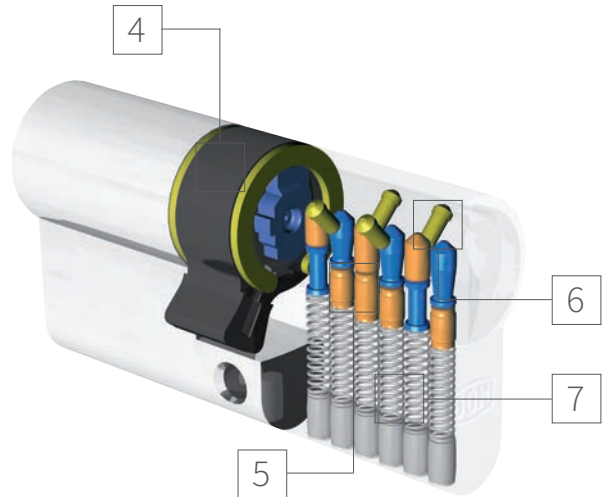
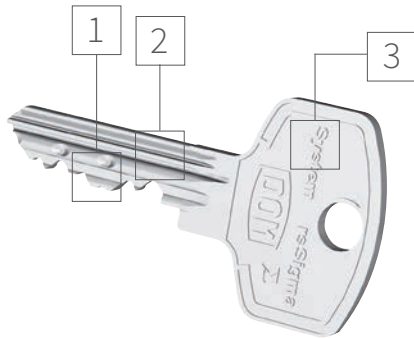
Service Partner profile



Save without regrets

The DOM Sigma Plus system is the brand locking system for people who value a high level of security at an affordable price. New or refurbished buildings – they all need protection. The outstanding values for drilling and pulling protection of DOM Sigma Plus result in a system that is almost

unique in this price class. Whether front door, apartment door, cellar door, window handle, letter box or garage key – with the innovative locking system DOM Sigma Plus you have everything under control with just one key!



- 1 CUT LAYERS MATCHING THE PROFILE**
Protection against key copies
- 2 COMPLEX CODING IN THE KEY**
Makes it more difficult to copy
- 3 NICKEL SILVER KEY**
Corrosion-free and low-wear
- 4 LOCKING CATCH**

- 5 6 TUMBLERS MADE OF SPECIAL BRASS/HARDENED STEEL**
Offer manipulation protection against intelligent opening methods and impact protection
- 6 REVISION PINS**
Checkpoints during the key authorisation query
- 7 SPRINGS**
Part of the pin tumblers, they move the pins to the correct locking position

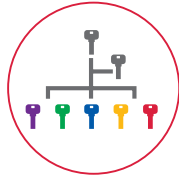


Fig.: DOM Sigma Plus;
the locking system is protected by a trademark.

Advantages

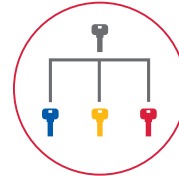
- HIGH MANIPULATION PROTECTION**
Up to 19 locking authorisation queries per key make it almost impossible to overcome the cylinder. 6 solid pin tumblers and revision pins at the side make unauthorised opening with copied keys more difficult.
- THE LOCKING SYSTEM IS PROTECTED BY A TRADEMARK**
- HIGH CONVENIENCE**
The ergonomic shape of the key head makes it easy to handle.
- VARIOUS OPTIONAL DRILL-OPEN PROTECTION VARIANTS AVAILABLE**
- CAN BE USED AS LOCKING SYSTEM AND AS AN INDIVIDUAL LOCK**
- OPTIONAL MODULAR TECHNOLOGY WITH ENHANCED SNAPPING PROTECTION**

Types of locking system



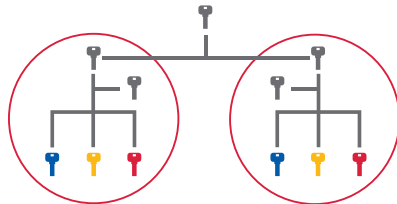
Central lock system (Z-system)

With the central lock system, an apartment key locks your own apartment and all the common or central doors locked by tenants e.g. front door, yard door, cellar door. However, none of these keys fit any of the other apartment doors. **Z-systems are mainly used in multi-family homes etc.**



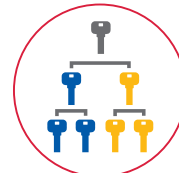
Master key system (HS-system)

With the master key system, a higher-order key – the master key (HS) – locks all the cylinders in the joint system. However, every individual cylinder has its own lock and can thus only be locked by its own respective key and the HS. **HS-systems are found in schools, and in small and medium-sized industrial buildings.**



Central master key system (ZHS-system)

Quite often, a technical master key also exists. The house owner or facility manager can use this technical master key to lock the central doors (entrances etc.), the boiler rooms etc. but not the apartment doors. **ZHS-systems are often used in larger residential buildings.**



General master key system (GHS-system)

General master key systems generally comprise at least two HS-system groups. The general master key (GHS) enables one person to enter all the rooms in the entire system. On the group level, several people have group keys (GS) which lock access doors to partial areas of the entire system. Here, too, every cylinder has its own lock and can only be locked by its own key and the higher-order key allocated to it. **GHS-systems are found in larger, hierarchically organised buildings or complexes with separate buildings.**

Overview of technical data

	Factory profiles						Service Partner profiles		
	DOM ix TwinStar®	DOM ix Twido®	DOM ix Tecco®	DOM ix 6HT	DOM RS 8	DOM RS Sigma	DOM ix Twido®	DOM ix Tecco®	DOM Sigma Plus
Number of tumblers	11	7	7	6	8	6	7	7	6
Moving locking element in the body	•	•					•		
Moving element in the key	•	•					•		
Locking authorisation requests	24	21	20	19	13	19	21	20	19
Reversible key	•	•	•	•			•	•	
Conventional key					•	•			•
Compatible with DOM electronics	•	•	•	•	•	•	•	•	•
Modular technology (optional)	•	•	•	•	•	•	•	•	•
Patent term	2036	2036	2038*	2026	2024		2036	2038*	
The locking system is protected by a trademark.		•	•			•	•	•	•
Highest VdS class possible (optional)	BZ(+)	AZ (BZ(+))**	AZ		BZ(+)	AZ			
Locking system capability	•	•	•	•	•	•	•	•	•
Registered individual lock in compliance with VdS	•				•				
Individual lock		•	•	•		•	•	•	•
2-in-1 for individual locks (optional)	•								
2-in-1 for locking systems (optional)	•								

* patent pending
 ** in preparation

Locking cylinder finishes

Innovative products with high customer benefits are the tried-and-tested trade marks of DOM Sicherheitstechnik. Please note that production-related deviations and the usual deviations in colour caused by galvanisation are unavoidable and excluded as a reason for complaint.



01. matt nickel



03. matt chrome



04. bright chrome



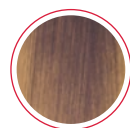
05. matt brushed



06. polished



07. dark bronze



09. antique bronze finish



25. gold-plated



DOM SICHERHEITSTECHNIK

GMBH & CO.KG

Wesseling Straße 10-16

D-50321 Brühl/Cologne

T +49 (0)2232 704 0

E dom@dom-group.eu

www.dom-security.com

DOM-UK LTD.

Unit 12

Cleton Street Business Park

Cleton Street, Tipton DY4 7TR

T +44(0)121 - 5 69 77 90

E sales@dom-uk.co.uk

www.dom-security.co.uk

We believe that everyone and everything of value deserves to be kept secure, without compromise.

With committed employees and experts and our continual striving for innovation, we develop top-quality locking and access solutions.

Your professional security adviser:

DOM Security was founded by Henri Morel in Paris. We have more than 20 sales & service branches all over Europe and more than 10 manufacturing locations.

www.dom-security.com