

Engineered in Germany

Winkhaus has been impressing customers with innovative products since 1854. In our development centres in Germany, Winkhaus engineers are delivering outstanding technical developments in the field of window and door technology. Here visions become reality. So you can be certain that each and every of our products is made with outstanding German engineering skill.

Your Winkhaus partner:

keyTec RPE/RPS(+)

For single key systems and cylinder assemblers



keyTec RPE/RPS(+).

The modern
locking systems.



It's hard to get an overview of all of the mechanical locking systems on the market. Is there still potential for significant product improvements in this traditional market segment? Yes, there is! The Winkhaus locking systems keyTec RPE and RPS(+) are proof of this.

The type of locking systems we need today.

Winkhaus has carefully analysed the requirements of the sector. We took into account the requirements of the trade, as well as the interests of the users in the product development. The result is two locking systems, which set new standards in technology and are equally attractive for both retailers and users.

Reliable, versatile, innovative.

With the keyTec RPE and RPS(+) systems, Winkhaus is covering the requirements for individually-secured key systems, as well as small and medium-sized locking systems. The system is available as either a Winkhaus service locking cylinder or as a factory locking cylinder for cylinder assemblers. The copy protection guarantees success way into the future.



"Finally, a system that lets me be completely flexible!"

Dirk Neumann, Specialist dealer for security technology

My requirements are fulfilled with keyTec RPE/RPS(+):

- + Technical copy protection
- + Attractive key design
- + For individually-secured and keyed-alike cylinders
- + For self-assembly of locking systems (RPS+)

Versatile:
Variety of colours ex works.



- 1 Blue
- 2 Rape
- 3 Ruby
- 4 Mint
- 5 Deep black (standard)

Dynamic spectrum

With the RPE/RPS(+) keys, the colour coding system is installed in the same way. In addition to the standard colour black, you and your customers can simply choose from a range of other cap colours with a strong signalling effect. This means that you can offer your customers optimal organisation and overview on the key ring right from the start. The colour can be changed later at any time.

The unmistakable material and design concept underlines the special position of the modern, elegant and high-quality Winkhaus locking system on the market and helps to secure a strong sales positioning for your range.

This is how to make a lasting impression with your customers



Embossing surface on the rear of the key

Your logo on every key

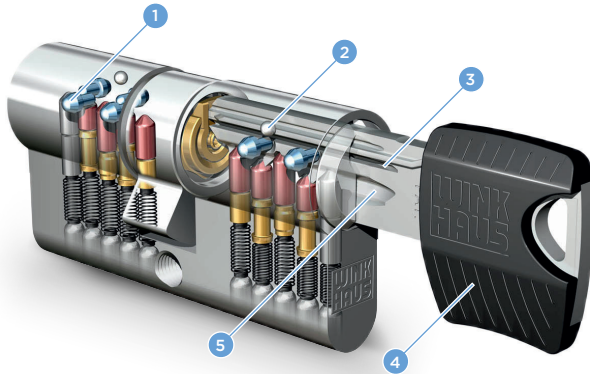
This is what state-of-the-art innovative design looks like. The design is both dynamic and ergonomic, the material combination of nickel silver and high-quality plastic is distinctive and resilient.

You can also have your dealer logo embossed ex works. This ensures that you are always present with your customers - including for any repeat order.

Show your profile with the keyTec RPE/RPS(+) systems from Winkhaus. Your flexible answer to challenging customer demands!

keyTec RPE.

Sophisticated. Patented.
Elegant.



- 1 Locking pin
- 2 Locking ball (protectBall) with rib check
- 3 Continuous rib
- 4 Key head in a variety of colours
- 5 Extended shank

Ready for sale from Winkhaus

The keyTec RPE locking system from Winkhaus is the innovative basic system for the individually secured locking mechanism. The intelligent mechanical concept with a unique combination of benefits sets new standards in the market. With the keyTec RPE system, you can offer your customers state-of-the-art locking technology in proven Winkhaus quality.

keyTec RPE in your product range

The keyTec RPE is the new standard for individually-secured key systems, optimal for keyed-alike cylinder sets, e.g. in owner-occupied homes, small companies, salesrooms etc. The keys are made ready-to-use in the Winkhaus factory and come to you as off-the-shelf items.

For individually-secured systems

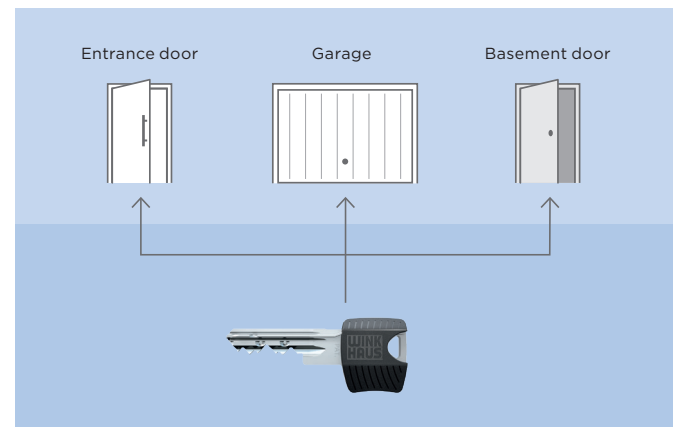
Technical features:

- + Multiple paracentric key profile
- + Copy protection via Winkhaus protectBall
- + Long key shank for modern security fittings
- + Optimised tip of the key for better insertion comfort
- + Picking protection as standard
- + Retaining ball with rib query
- + 5-pin system with up to 8 radial pins

RPE The advantages at a glance

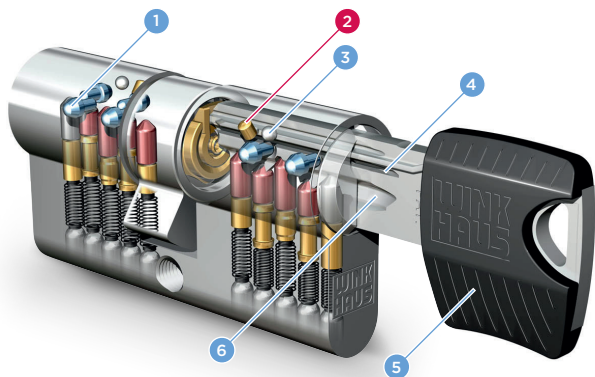
- + For individually-secured and keyed-alike cylinders
- + Handy key made from nickel silver with high-quality plastic
- + Modern key design
- + Caps in different colours

Simultaneous locking allows you to open all of the doors with a single key; here is an example of a single-family house.



keyTec RPS(+).

The versatile locking system.



- 1 Locking pin
- 2 Rib pin
- 3 Locking ball (protectBall) with rib check
- 4 Continuous rib
- 5 Key head in various colours
- 6 Extended shank

For self-assembly of individual locking systems

The keyTec RPS(+) locking system has all the properties of the previously described keyTec RPE; an additional rib system makes the system even more versatile and secure. It is the ideal system for self-assembly of medium-sized locking systems to customer order. The keyTec RPS(+) system combines reliability, high versatility and attractive design in a pioneering product concept. Thanks to increased coding possibilities, keyTec RPS(+) enables you to achieve even more individual locking systems with different locking authorisations, including master key and central cylinders.

keyTec RPS(+) in your product range

The keyTec RPS(+) system from Winkhaus is the versatile product for cylinder assemblers: You can create customer-specific locking systems in self-assembly. They therefore offer small and medium-sized companies an economical and future-proof solution. The RPS(+) system is also suitable for secured locking cylinders in special customer profile.

For cylinder assemblers

Technical features:

- + Multiple paracentric key profile
- + Additional rib pin for increased coding variety
- + Copy protection via Winkhaus protectBall
- + Long key shank, perfect for modern security fittings
- + Optimised tip of the key for better insertion comfort
- + Picking protection as standard
- + Profile tree for differentiation of locking codes
- + Retaining ball with rib query
- + 5-pin system with up to 8 radial pins
- + New profile tree for even more flexible system differentiation (RPS+)
- + Increased coding options due to adapted gaps between key cuts (RPS+)

RPS(+) The advantages at a glance

- + Ideal for small and medium-sized locking systems in self-assembly
- + Secured locking cylinders in special customer profile
- + Modern key design
- + Caps in different colours
- + System coding ex works (optional)

The reserved profile tree provides a flexible system structure when establishing locking hierarchies; here is an example based on a lawyers' office.

