

EVVA
access to security



Akura 44

A new dimension of flexibility



Akura 44. A new dimension of flexibility

Akura 44 is the flexible reversible key system specially designed for residential buildings. Particular attention was placed on the flexibility to cover the various security requirements in a residential project with one locking system. For example, the security level can be adjusted within a system. This is provided by optional key copying protection.



Benefits of Akura 44 at a glance

- › Optional key copying protection
 - › Wide cylinder range
 - › For well-structured master key systems
 - › Patent protection until 2037
-

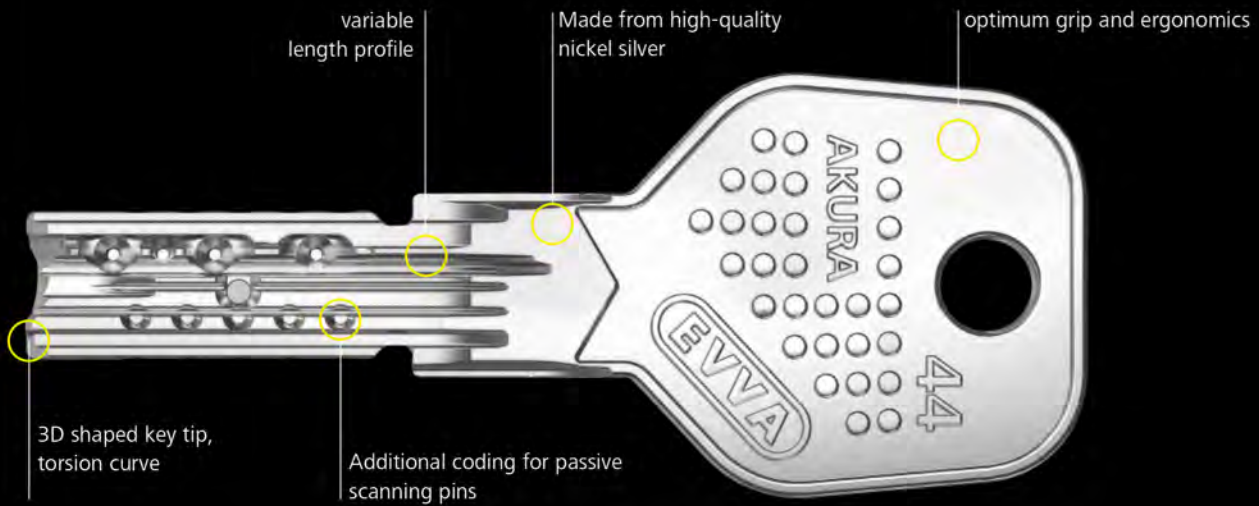
Specially designed for residential buildings

What characterises a master key system for residential buildings? Security, flexibility, attractive pricing and investment security. Akura 44 stands out in all these categories. Akura 44 has been developed from our experience of over 100 years' working on mechanical locking systems.



Akura 44. One system, many details

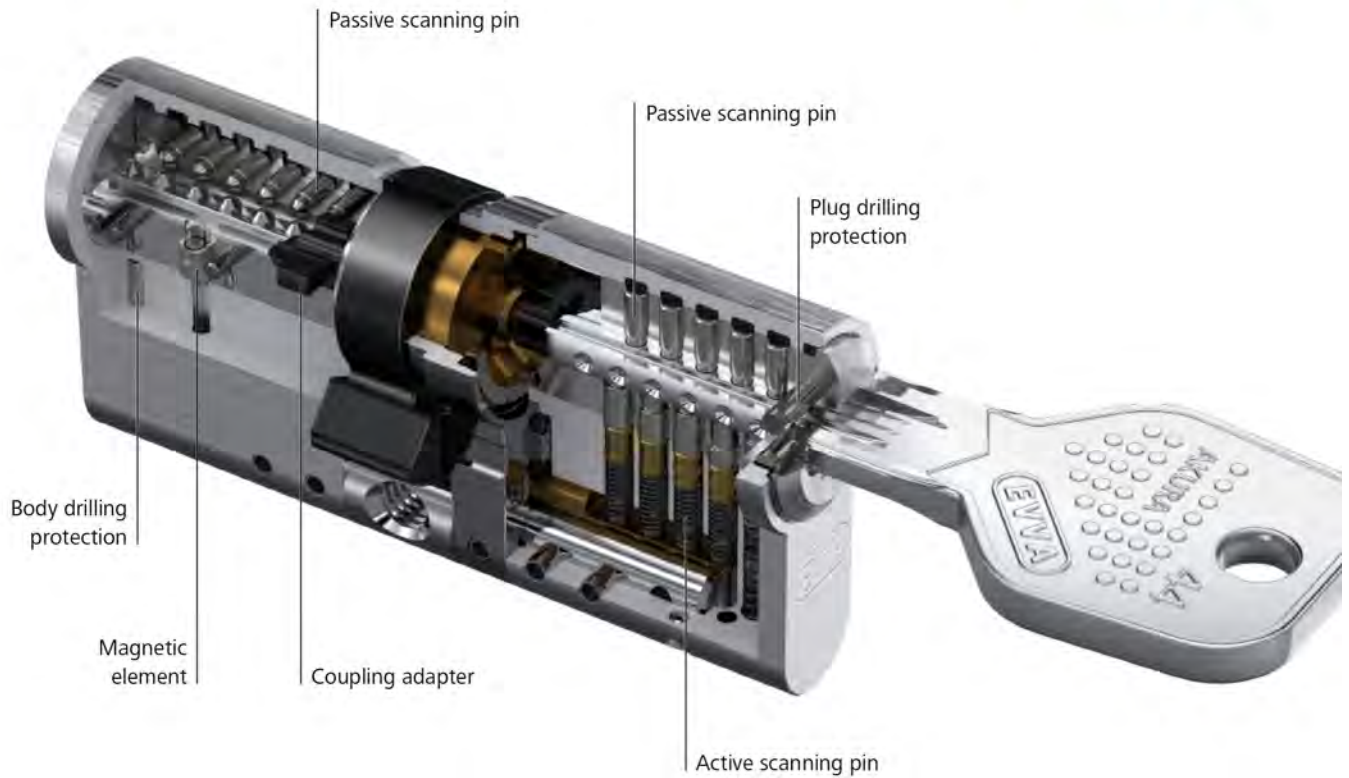
The authorisation check on Akura 44 cylinders occurs in several levels simultaneously, namely through the combination of a variable length profile, 6 active and up to 10 passive scanning pins, which also extend the calculation capacities. Optional magnetic copying protection secures sensitive areas if required and makes it difficult to copy the key and manipulate the cylinder.



Practical, handy and appealing

Akura 44 keys are also available in a range of colours. The colour coding helps to easily distinguish between keys.





All-round protection:

Key copies, additional cylinders and lock charts are available from authorised EVVA Partners only when the relevant proof of legitimacy is provided, i.e. the EVVA security card.

Security features

The Akura 44 cylinder offers drilling, pulling, picking and scanning protection and thus protects against illegal opening methods.

The international certifications make it possible to use them worldwide.



* in progress

Akura 44. One for all

The wide range of cylinders makes it possible: One for all! With just one key, residents can lock the front door, mailbox, garbage room, garage and, of course, their own home. Building administrations benefit from reduced expenditure while residents benefit from a small, light set of keys.

**Your cylinder
for every door
situation**



27/35



Hero for residential buildings: Short cylinder

Akura 44 also has a short cylinder with a minimum length of 27 mm for the outside of the door. This saves additional costs in the residential building sector. Since it hardly causes any cylinder protrusion, it does not require any strong fittings. The Akura 44 short cylinder also contains 6 pins for reliable EVVA security.





Versatile application: Cam lock

Cam locks are versatile in residential buildings and can be easily integrated into the master key system, whether for the mailbox, message box or distribution cabinet.

Reliable: Padlock

Akura 44 also offers padlocks with hardened steel pins in the cylinder plug as drilling protection. They reliably secure the basement section.

Additional security: Outside cylinder

Additional security devices on apartment doors make it even harder for thieves to break in. Outside cylinders are therefore also available in the Akura 44 cylinder range.

Smart living: Half cylinder

Electrically operated equipment, such as shading or roller shutters for ground floor locations, is moved with a turn via the key switch.

Akura 44. Combined with electronic locking systems

Akura 44 can be perfectly combined with EVVA electronic locking systems in a residential complex. Electronic locking systems are primarily used on the perimeters of the facility and where event logs and time-limited access are important. Electronic and mechanical access components can be locked with just one key, the combi key.



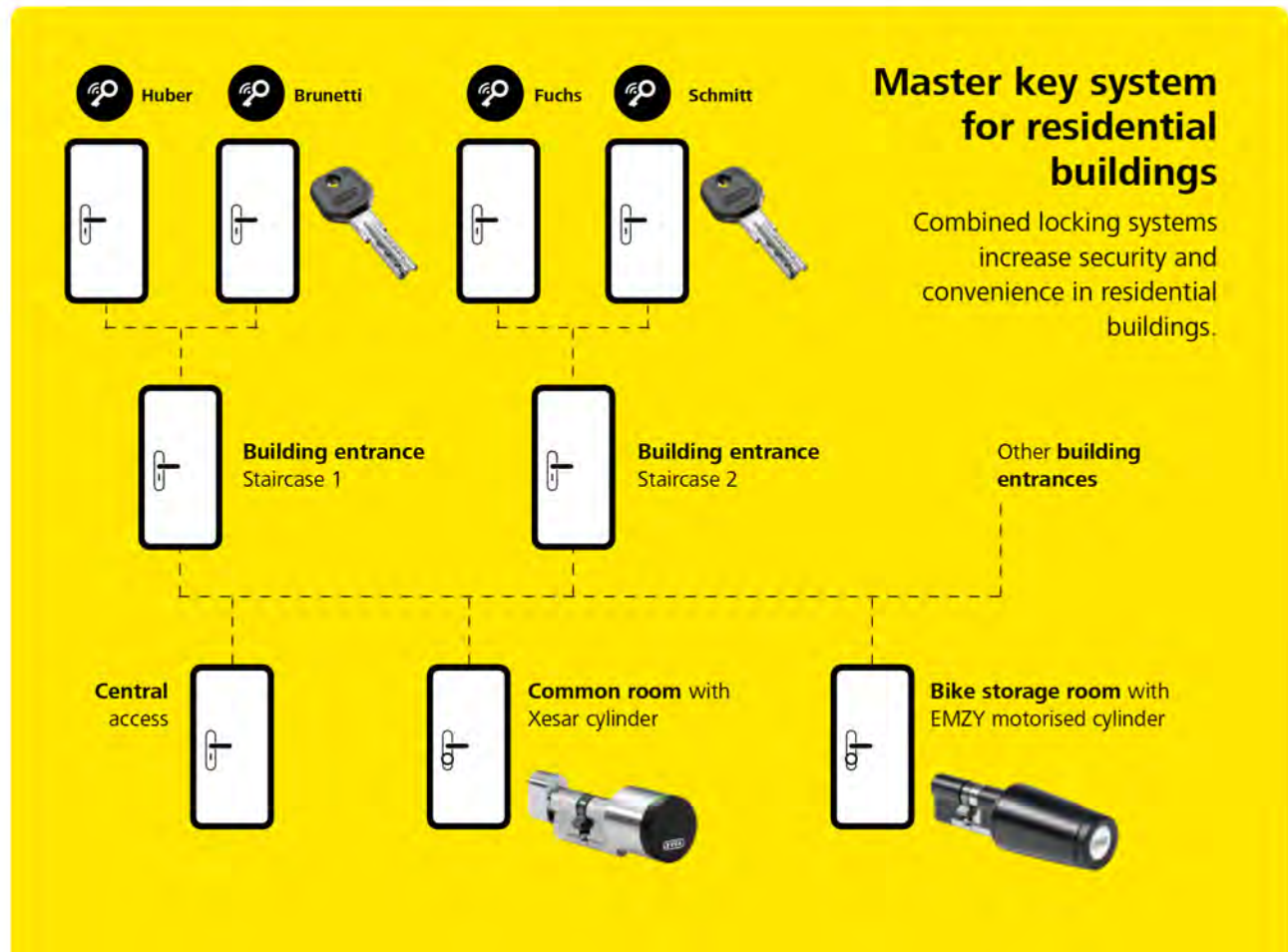
Xesar cylinder for common areas



Combi key for all rooms



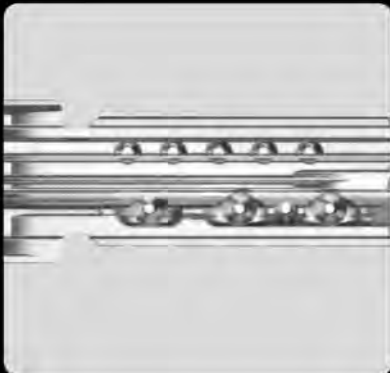
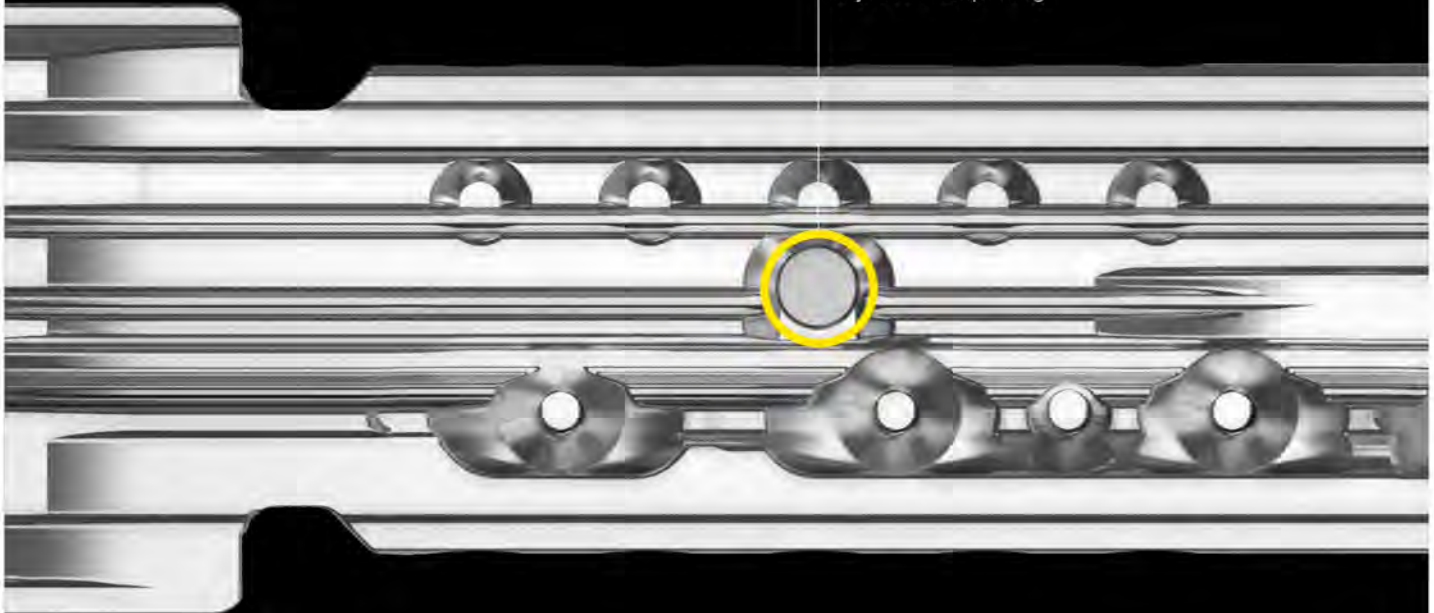
EMZY motorised cylinder for bicycle storage rooms



Akura 44. More secure upon request

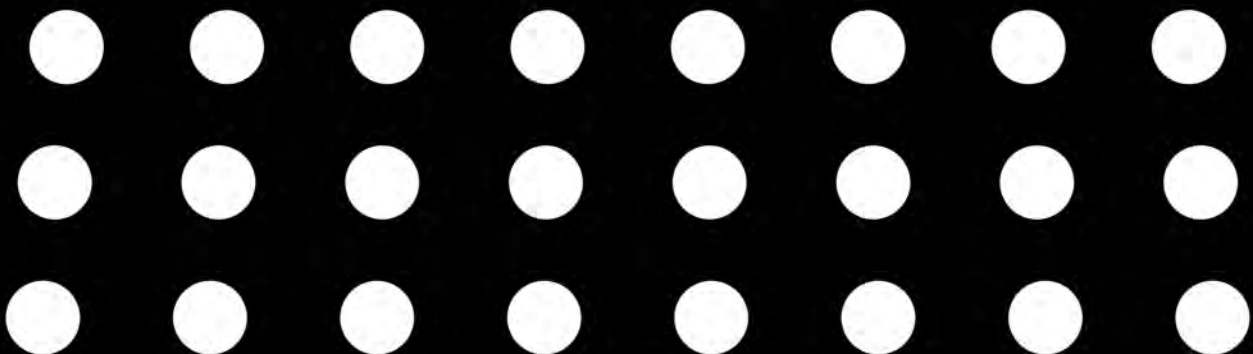
Wouldn't it be extremely practical and cost-effective if you could vary the level of security within a facility? Not every door needs maximum security. This is possible with the optional magnetic pill on the Akura 44 key. It makes the key secure against 3D printing and the cylinder more break-in resistant.

With magnetic pill
Fully secure 3D printing



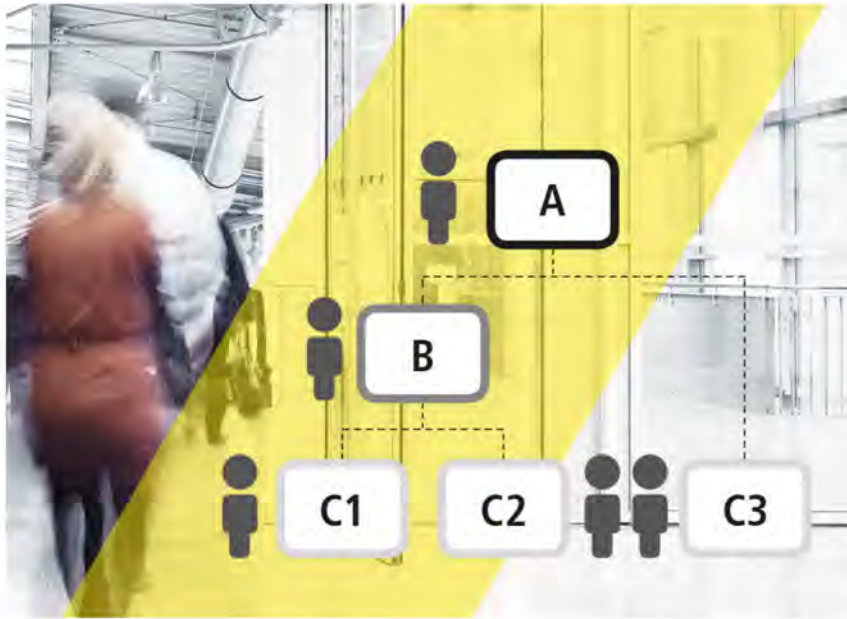
Akura 44 with and without magnet technology

Magnetic security is recommended for exterior doors requiring more protection. For the majority of internal doors, Akura 44 can be used without the special magnetic key copying protection.



Unique EVVA service

Since 1919, EVVA services have been geared towards customer benefits. This has resulted in market-based products, the best product and consulting service for customers and partners as well as a master key system expertise that boosts customer convenience and gives operators a competitive, economic edge.



Locking systems from professionals

Master key systems define who has access to which facilities. EVVA provides comprehensive expertise in planning locking systems and electronic access control systems. The company's range also includes the calculation of high-performance locking systems with complex authorisation structures.



Your EVVA Partner portal

Our Partner portal provides everything you as EVVA Partners need as part of your everyday activities: price lists, catalogues, data sheets and the option to sign up to training sessions.



Mechanics and electronics

EVVA is one of the leading manufacturers that develops and produces electronic and mechanical locking systems in Vienna. EVVA's electronic and mechanical products can be combined in locking systems around the world depending on customer demands.



Excellent advice

EVVA is your reliable partner. Be it for technical queries concerning EVVA products or planning issues regarding a project, you can always count on EVVA.

Innovation made in Austria

Trust a family-owned business that has been researching, developing and producing for 100 years and operates in a respectful and cooperative way. EVVA – Leading European manufacturer in mechanical and electronic locking systems!

www.evva.com