

Technical Data

ENiQ® Pro V2 Padlock

General:

- Padlock without forced closing

Technology:

- 13.56 MHz Mifare
- 2.4 GHz (BLE: Bluetooth Low Energy)

Material:

- Housing: Solid brass, surface matt chrome plated
- Bottom plate: Polyamide (PA66)
- Shackle: Steel (10B21), surface brilliant chrome plated
- Knob of cylinder: Stainless steel 1.4305

Durability:

- Padlock: at least 10,000 cycles (according to DIN EN 12320, class 1)
- Cylinder: at least 100,000 cycles (according to DIN EN 1303 and EN 15684 grade 6)

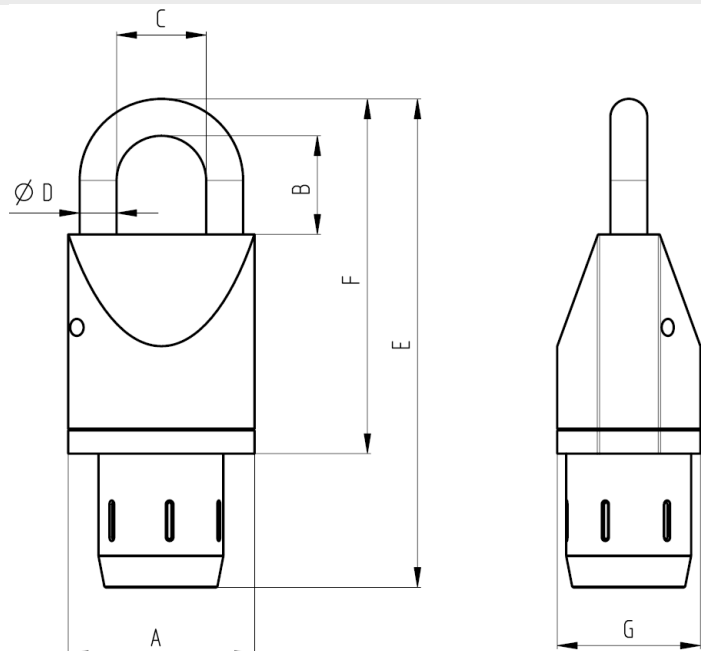
Mechanical strength:

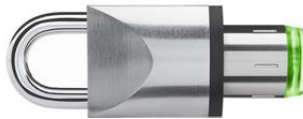
- Strength of shackle:
 - Tensile strength: ≥ 15 kN (Ch. 5.5.5, DIN EN 12320)
 - Torsional strength: ≥ 200 Nm (Ch. 5.5.6, DIN EN 12320)
 - Cutting strength: ≥ 25 kN (Ch. 5.5.7, DIN EN 12320)

- Impact resistance of padlock housing and shackle:
 - tested with 5 shocks at -20°C (falling mass of 1,250 g from a height of 800 mm)

Dimensions:

- | | | |
|------------------------|-----|---------|
| • Width | A = | 56 mm |
| • Thickness | G = | 43 mm |
| • Length without knob | F = | 109 mm |
| • Length with knob | E = | 150 mm |
| • Shackle diameter | D = | 11.1 mm |
| • Inner shackle height | B = | 30 mm |
| • Inner shackle width | C = | 27 mm |





Technical Data **ENiQ® Pro V2 Padlock**

Power supply:

- Battery pack with 2 lithium cells 3.0 Volt
- Type CR2 (Li-MnO₂ system)

Battery life time and data preservation:

- At room temperature (+20°C):
- Up to 80.000 locking cycles or
 - Up to 3.5 years in case of non-use or
 - Up to 3 years by typical 10 locking cycles per day
- Multilevel alarm system in case of voltage drop
 - 10 years data preservation without battery

Time / Date:

- Buffering typically 1 minute (in case of battery change)
- Clock drift at room temperature: ±10 minutes/year
at -25°C and +70°C: -50 minutes/year

Signalling:

- Optical signalling by 4 multicolour LEDs (moving light effect)
- Circular lighting segments in knob cover

Clutch duration:

- Adjustable ranging from 1 to 30 seconds
- Permanent open/close mode

Certifications of cylinder:

- VdS-BZ+ approval: certificate M116308
- Certification according to EN 15684 (PIV test report 49-4/18)

	Digit	1	2	3	4	5	6	7	8
ENiQ Pro V2		1	6	B	4	A	F	3	2

Certifications of padlock:

- Certified according to DIN EN 12320 (PIV test report 51-2/15):

	Digit	1	2	3	4
Padlock DOM 777 Pro		1	1	3	3

Environmental:

- Padlock in combination with ENiQ Pro V2 cylinder:
 - Temperature: -25°C to +65°C
 - Humidity: 20-96% no condensation
 - Anticorrosive according to class 3 DIN EN 12320 (salt spray test 96 h)
- Locking cylinder:
 - Temperature: -25°C to +65°C (class 4 EN 15684)
 - Humidity: 20-99% no condensation (class 4 EN 15684)
 - Protection class: IP66 (knob), IP65 (complete cylinder)
 - Anticorrosive according to class 3 DIN EN 1670 (salt spray test 96 h)

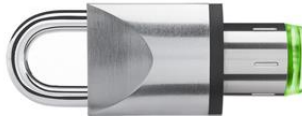
Programming:

- Programming via NFC/BLE-with the following prerequisites:
- ENiQ App (NFC/BLE) (see datasheet ENiQ App)
 - ENiQ Software via BLE Stick (see datasheet ENiQ AccessManagement Software)
 - Storage of max. 5 programming cards

Events:

- Ring buffer for the latest 2.000 events





Technical Data

ENiQ® Pro V2 Padlock

Inductive transponder interface:

- Reading range: up to 3 cm
- Frequency: 13.56 MHz
- Field strength in 10 m distance: < 42 dB μ A/m
- In conformity with ETSI EN 300 330

- Supports passive transponders according to ISO 14443 A

- Encryption: Mifare DESFire EV1 / EV2: AES-128 Bit
Mifare Classic: Crypto-1
- Additionally AES-128 Bit encryption with object specific keys

Bluetooth Low Energy (BLE)

- Communication range up to approx. 10 m
- Frequency: 2.4 GHz
- Transmission power: < 20 dBm
- Conformity to ETSI EN 300 328

- Key exchange: Curve25519-256 Bit (elliptical curve)
- Encryption: XSALSA20-256 Bit
- Signature / Authentication: Poly1305-128 Bit

Transponder types:

- DOM Standard Tag, Premium Plus Tag, ClipTag
- ISO card transponder
- Other types have to be checked

Storage of access authorisations in the device:

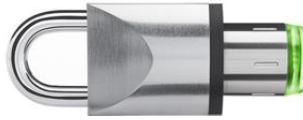
- Supported transponders:
 - Mifare DESFire / DESFire EV1 2k, 4k, 8k
 - Mifare Classic 1k, 4k
 - Mifare Plus S/X 2k, 4k
 - Mifare Ultralight / Ultralight C

- Storage of maximal 5.000 authorisations in the device
- Identification of the transponders by their UID or by other unique data

Storage of access authorisations on the transponders:

- Supported transponder types:
 - Mifare DESFire EV1 2k, 4k, 8k
 - Mifare Classic 1k

- Other data on the transponder:
 - „blacklist“ with blocked transponders
 - Authorisation period, weekly schedule at the device



Technical Data	ENiQ® Pro V2 Padlock
-----------------------	-----------------------------

Weekly and day's schedules:

- Storage of max. 256 weekly / day's schedules per device
- Each weekly schedule points to 10 arbitrary day's schedules (7 week days and 3 special days for holidays):

1	2	3	4	5	6	7	8	9	10
Mon	Tue	Wed	Thu	Fri	Sat	Sun	holiday / vacation		
DS1	DS2	DS3	DS4	DS5	DS6	DS7	DS8	DS1	DS2
- Each day's schedule consists of 96 time slots of 15 minutes, in each case definable as authorised or unauthorised:

0 ⁰⁰	1 ⁰⁰	2 ⁰⁰	3 ⁰⁰	...	20 ⁰⁰	21 ⁰⁰	22 ⁰⁰	23 ⁰⁰
█	█	█	█	█	█	█	█	█
- Access rights of the weekly / day's schedules:
 - # 0: No access (unauthorised)
 - # 1: Access with no time-limits, active special functions may limit access
 - ## 2-254: Freely definable
 - # 255: Access with no time-limits, active special functions are ignored
- Permanent-open and permanent-close weekly schedules
- Office function

Holidays:

- Storage of maximum 256 holidays or vacation periods per device
- Definition of 3 different kinds of holidays/vacations
- Begin / end as from / to date



These data correspond to the actual development status and are subject to change at any time without notice.

